



PROJECT		REF		REV	ITEM CODE	
LOCATION		DATE			PAGE	

SANITARY WARE SPECIFICATION SHEET

<p>Item Descriptions</p> <p>Dimensions</p> <p>Model</p> <p>Finish</p> <p>Country of origin</p> <p>Manufacturer</p> <p>Supplier</p> <p>Contact Tel/Fax</p> <p>E-mail</p> <p>Website</p>	<p>GROHE (Germany) "Eurosmart Cosmopolitan" Chrome plated 1/2" single-lever shower mixer trim with concealed body</p> <p>L158 x W152 x H172 mm</p> <p>24044000 (Shower Mixer) 35600000 (Mounting box)</p> <p>Chrome Plated</p> <p>Germany</p> <p>GROHE Limited</p> <p>Acme Sanitary Ware Co. Ltd Mr. Eric Wong/ Mr. Don Yuen</p> <p>(852) 2388-7171 / (852) 2710-8012 acme@acmesanitary.com.hk www.acmesanitary.com.hk</p>	<p>Illustration/ Drawing</p>
<p>"Eurosmart Cosmopolitan" Single-lever shower mixer trim</p> <ul style="list-style-type: none"> · set for final installation for · GROHE Rapido SmartBox 35 600 000 · GROHE SilkMove 46 mm ceramic cartridge · GROHE StarLight chrome finish · wall escutcheon with GROHE QuickFix (covered escutcheon- and shaft sealing, covered fixing) · metal escutcheon, retroactively 6° adjustable · metal lever · flow performance: outlet B or C = 30 l/min · without roughing-in-set 	<p>GROHE Rapido SmartBox</p> <ul style="list-style-type: none"> · Universal rough-in box, 1/2" · 3 outlets 1/2" · 2 inlets below, 1/2" · installation depth 75-105 mm · connection unit in DR brass · pre-mounted flushing plug · stable build-in box and protective cover · fixing options for solid walls and dry cladding · gasket · without set for final installation 	<p>Technical drawings showing dimensions for the shower mixer trim and mounting box. The trim has a diameter of 158 mm and a height of 172 mm. The mounting box has a diameter of 158 mm and a height of 122-152 mm. The trim is mounted on a wall with a thickness of 10 mm. The mounting box is installed in a wall with a thickness of 82-112 mm. The trim has a 50° angle on its sides. The mounting box has a diameter of 146 mm and a height of 135 mm. The trim has a diameter of 145 mm and a height of 96 mm. The mounting box has a diameter of 176 mm and a height of 25 mm. The trim has a diameter of 138 mm and a height of 142 mm. The mounting box has a diameter of 138 mm and a height of 142 mm.</p>

Note: YouTube ([Rapido SmartBox | Installation Video](https://www.youtube.com/watch?v=KsWdVrq9fVI)) <https://www.youtube.com/watch?v=KsWdVrq9fVI>

* All information of the above is for the reference only. No prior notice is made if any changes.



Acme Sanitary Ware Co Ltd

Acme Building, 22-28 Nanking Street, Kowloon, Hong Kong
Tel: 2388 7171 Fax: 2710 8012
E-mail: acme@acmesanitary.com.hk
Website: www.acmesanitaryware.com.hk



Pure Freude
an Wasser

PROJECT		REF		REV	ITEM CODE	
LOCATION		DATE			PAGE	

SANITARY WARE SPECIFICATION SHEET

GROHE EUROSMART COSMOPOLITAN

MORE THAN MERE MINIMALISM

Focus on the essential. Eurosmart Cosmopolitan deliberately avoids anything superfluous. The design story of this line of fittings speaks to fans of contemporary architecture, combining modern aesthetics with excellent ergonomics and the highest functionality. The extensive Eurosmart Cosmopolitan line boasts six different faucet models for the washbasin, each brilliantly complementing GROHE ceramics. Whether a fixed, swivel-mounted or electronic cast spout, each model guarantees the highest GROHE quality and optimum ease of use. Our proven technologies, including GROHE SilkMove, GROHE SilkMove ES and GROHE StarLight, are committed to fulfilling our quality promise.



THE NEW GROHE RAPIDO SMARTBOX

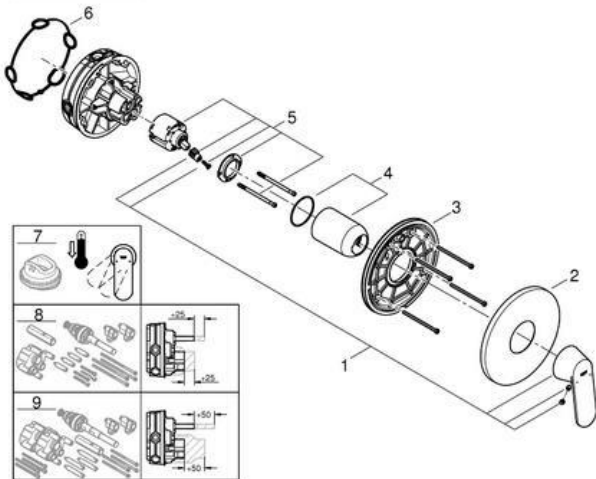
A UNIVERSAL SYSTEM FOR
INFINITE POSSIBILITIES

MORE THAN 200 POSSIBLE COMBINATIONS WITH GROHE RAPIDO SMARTBOX

As concealed mixing valves for showers and bathtubs are becoming increasingly successful, concealed units are in great demand. With its minimum installation depth of only 75mm, GROHE's Rapido Smartbox can be easily installed for all showers/bathtubs. The Rapido Smartbox concealed body allows you to control up to three water outlets and is compatible with all GROHE concealed models.



SPARE PARTS



Pos.-nr.	Prod. description	Order-nr.
1	Lever	46682000
2	Escutcheon	48428000
3	Mounting plate	48439000
4	Cap	02693000
5	Cartridge	46048000
6	Seal	48360000
7	Temperature limiter	46308000*
8	Universal extension set single-lever mixers, 25 mm	14056000*
9	Universal extension set single-lever mixers, 50 mm	14057000*

* Optional accessories

Note:

* All information of the above is for the reference only. No prior notice is made if any changes.



Acme Sanitary Ware Co Ltd

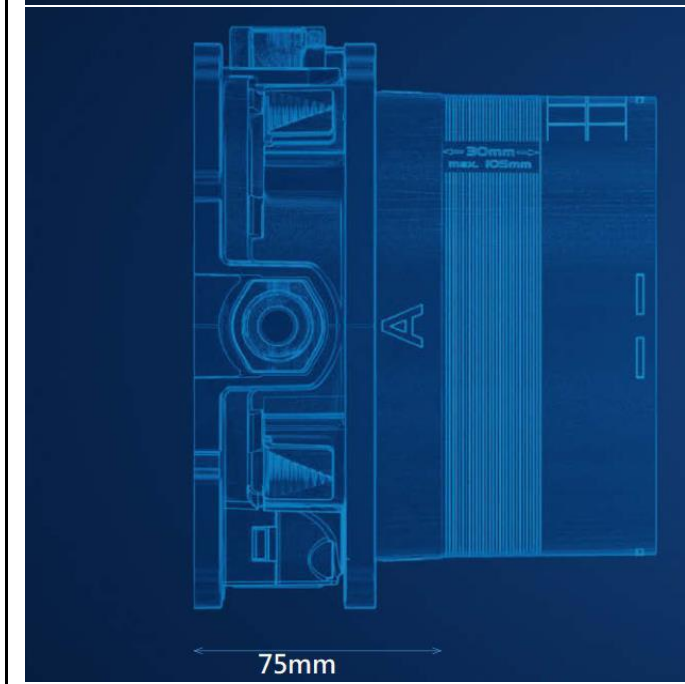
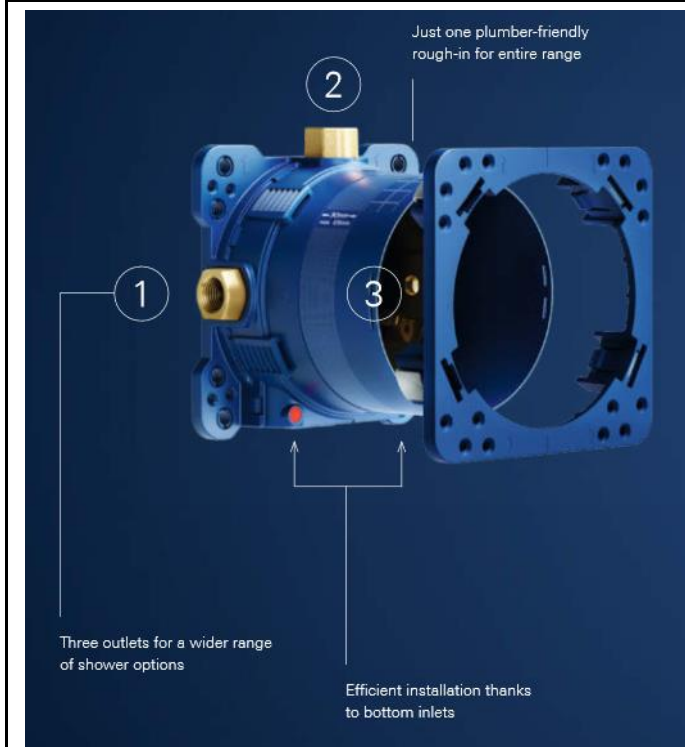
Acme Building, 22-28 Nanking Street, Kowloon, Hong Kong
Tel: 2388 7171 Fax: 2710 8012
E-mail: acme@acmesanitary.com.hk
Website: www.acmesanitaryware.com.hk



Pure Freude
an Wasser

PROJECT		REF		REV	ITEM CODE	
LOCATION		DATE			PAGE	

SANITARY WARE SPECIFICATION SHEET



Note:

* All information of the above is for the reference only. No prior notice is made if any changes.



水務
Waterworks Authority



總部 Headquarters
香港灣仔告士打道117號大樓48樓
48/F, Immigration and Customs Building, Gloucester Road, Wan Chai, Hong Kong

本署檔號 : (2) in WSD 3321/19 Pt.1 T/J(274)
Our ref.
來函檔號 :
Your ref.


電話 :
Tel.
傳真 : 2824 0578
Fax.

9 April 2019

Approval of "GROHE" Shower Mixer (General Acceptance No. C20190247)

Your letter ref. WRC/2046 dated 19 March 2019 refers.

Having considered the test report ref. J23908 issued on 21 February 2019 by Nutek Systems (HK) Ltd., this Authority accepts that the fitting described below complies with, and its use when correctly installed does not contravene, the Waterworks Ordinance and Regulations.

Name of Manufacturer: Grohe AG
Country of Origin: Germany
Brand: Grohe
Details of Fitting: 1/2" Single lever shower mixer with concealed body
Model: 35600000 + 24044XXX
(where the digits "XXX" denote the code of colour)
Body Markings: 
Expiry Date: 31 January 2024



This Authority hereby permits the use of the above fitting in fresh water plumbing systems subject to full adherence to Waterworks installation requirements. In particular, you are required to draw your customers' attention to the following requirement-

"The cold water supply to the fitting shall be drawn from the same source that supplies the hot water apparatus so as to provide a balanced pressure and to obviate the risk of scalding in the event of a restriction or failure in the water supply." AND

"The shower head or handspray should not be placed in submerged conditions and should be securely fixed to the original position after use."

A condition of this acceptance is that the fitting to be installed shall be replicas of the sample as certified by the testing agent mentioned above and without modifications. This acceptance may be withdrawn at any time if the standard of the fitting installed fails to meet that of the approved sample or if the fitting is found to be unsuitable for use in fresh water plumbing systems.

This acceptance is only applicable to the main body of the fitting, unless otherwise specified.

For the use of the fitting in any project, the General Acceptance Number of this letter must be quoted as a means of identification of acceptance of the fitting by this Authority.

Should you have any enquiries, please contact our Engineer Mr. Terry KUNG at tel. no. 3583 4086.

Yours faithfully,



(CHAN Chung-kun)

for Director of Water Supplies

Encl.

c.c. WSD 3321/1/82] - without catalogue
ME/MC] - with soft copy only